



WC - Tara.

Tissue holder with cover - Dark Brass matte

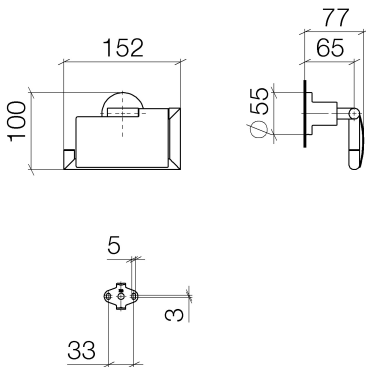
Article number: 83 510 892-16

- Width 6"
- Height 3-7/8"
- Flange diameter 2-1/8"
- 3" Projection



Dark Brass matte

Dimensional drawing



All dimensions in mm / inch = mm x 0,0394



WC - Tara.

Tissue holder with cover - Dark Brass matte

Article number: 83 510 892-16



WC - Tara.

Tissue holder with cover - Dark Brass matte

Article number: 83 510 892-16

Other surface finishes



polished chrome
83 510 892-00



platinum matte
83 510 892-06



platinum
83 510 892-08



Dark Bronze matte
83 510 892-17



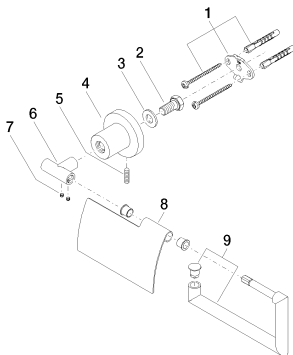
black matte
83 510 892-33



Dark Platinum matte
83 510 892-99

More custom finish options are available via special production (xTra Service). Please see our finish matrix for availability and pricing or contact a Dornbracht representative.

Spare parts list



Number	Item Number	Designation	Number of units
--------	-------------	-------------	-----------------